

Material Features :

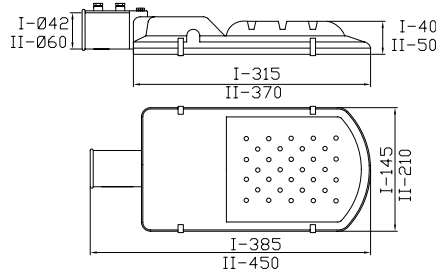
- High-pressure die-casting aluminium body, external electrostatic powder spraying
- High temperature proof silicon gasket and safety tempered glass
- Adopting high coefficient heat conducting material and aluminum alloy for heat-releasing
- International top-ranking chip LED light source, quadratic optic non-imaging lens

Applicable Places :

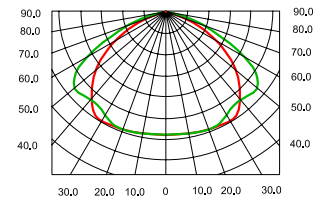
- Illumination of the Streets, Service Roads, Country roads, Township, Industrial Parks, Ship yard etc.

IP66 Class I    

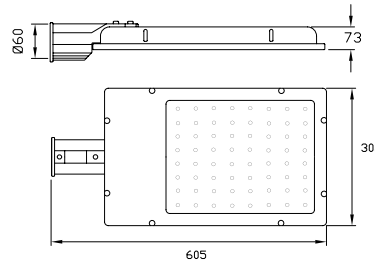
ELZD48-I, II



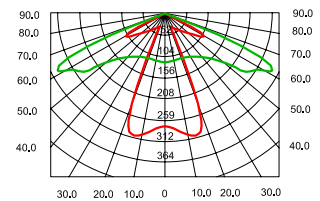
Light Distribution Curve (Cd/1000lm)



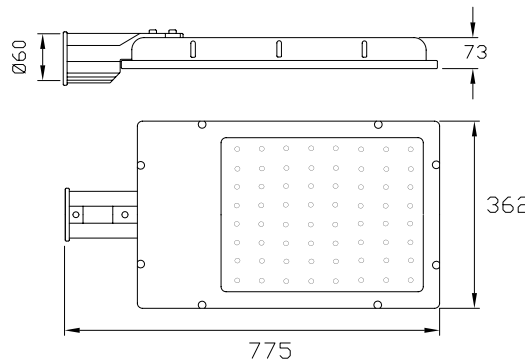
ELZD928-I



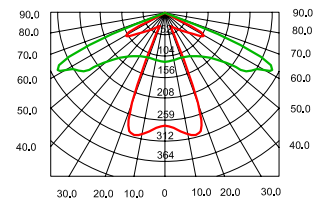
Light Distribution Curve (Cd/1000lm)



ELZD928-II



Light Distribution Curve (Cd/1000lm)



Model No	Light Source	Power W	Power factor pf	Input Voltage V/Hz	Lamp Type Pcs LEDs	Lamp Life Hr
ELZD48-I, II	LED	15, 18, 24, 30 36, 48	>0.85	220~240V / 50-60Hz	12,15,20,24, 30,40	50000
ELZD928-I	LED	70, 100, 120	>0.85	220~240V / 50-60Hz	56, 70	50000
ELZD928-II	LED	140, 180	>0.85	220~240V / 50-60Hz	84, 98	50000